

Ultrapure Water System TRITON RO 6



COMPACTNESS REDEFINED: Experience unmatched user-friendliness with one of the smallest systems on the market!



The TRITON 6 lab water series is modular designed and can be connected directly to tap water.

With a 10-litre tank and a production rate of 6 litres per hour, it offers great flexibility for your specific needs.

An integrated pre-treatment cartridge ensures a long service life of the RO membrane.

The compact design of the TRITON makes it easy to integrate into almost any laboratory environment.



Features

- ✓ Reliable pure water quality - ASTM type 3
- ✓ Simple and economical change of the consumables
- ✓ Large and intuitive touchscreen
- ✓ Leak water detector
- ✓ Measuring and monitoring of the permeate flow
- ✓ Pressure reducer
- ✓ Dry-run protection
- ✓ Pressure and flow sensor
- ✓ 10, 30, 60 or 100l tank
- ✓ Plug and Use – All consumables and installation material included
- ✓ Note on the replacement of all consumables (no obligation to replace)
- ✓ Warnings and notes in clear text
- ✓ Alarm history
- ✓ 100% Made in Germany



System configuration

- Wide-range power supply 80-264V / 50-60Hz
- Housing with an easily accessible service cover
- Compact production unit fits easily into various free spaces in the lab
- Exchange of consumables within seconds due to quick-connect couplings
- Integrated pressure reducer for different inlet pressures
- Pressure sensor for monitoring of the working pressure and as a dry-running protection
- Low-noise and durable recirculation pump for the complete internal recirculation of all wetted parts up to the final dispensing valve
- Measuring cells for the exact measurement of the conductivity and temperature
- Flush valve for the effective cleaning of all wetted parts as well as an adjustable quality flush during stand-by



Optional

- UV-unit (185 | 254nm) for the ultimate microbiological purity and TOC reduction
- Wall mount

User interface

- Large and intuitive touchscreen
- Individual adjustment for displaying the conductivity (MΩcm or μS/cm)
- Multilevel conductivity and temperature monitoring for pure water, temperature compensated with stepless limit adjustments
- High-precision measuring with integrated reference resistors as well as deactivatable temperature compensation acc. to USP
- Leakage monitor with error message and automatic shut-off of the feed water supply
- Continuous surveillance of all relevant parameters and values incl. early reminders when a change of consumables is pending



Storage tank

- 10, 30, 60 or 100l pure water tank with conical bottom and pure water outlet
- Flexible positioning, for example as a platform for the main system
- With sterile overflow and sterile vent filter against external contamination
- Adjustable tank level and measurement in 1% steps

Feed water requirements

Feed water quality	Potable tap water
Conductivity at 25°C	< 1000µS/cm
Total organic carbon (TOC)	< 1ppm
Inlet pressure*	1 – 6bar
Temperature	5 – 35°C

Additional pre-treatment units are available if the feed water is out of specs

Pure water specifications in the tank (Type 3)

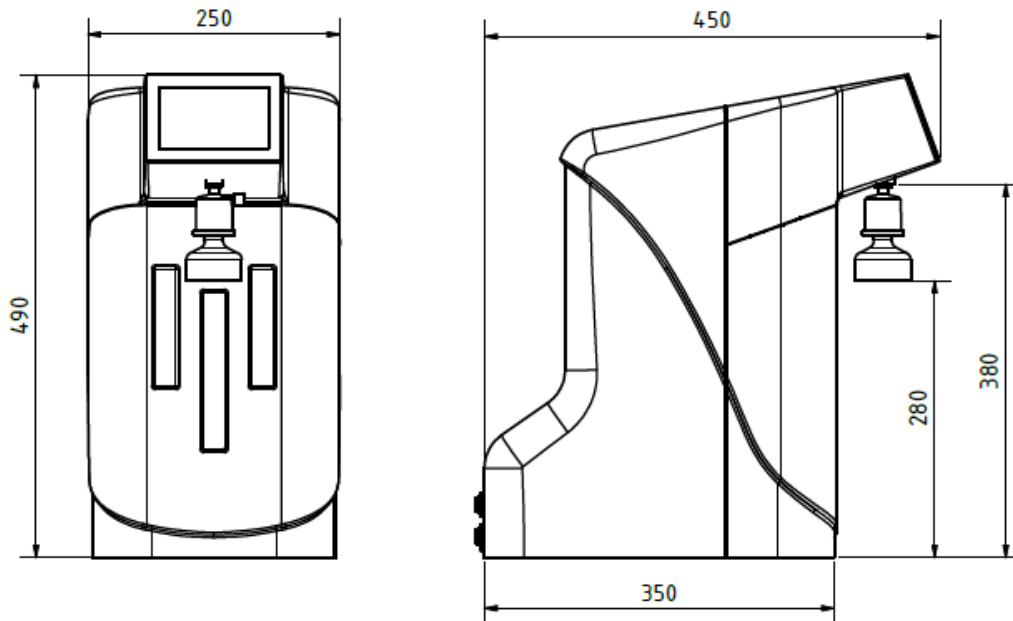
Retention rate	> 98 % ions, germs and bacteria
Performance	6l/h

Technical data

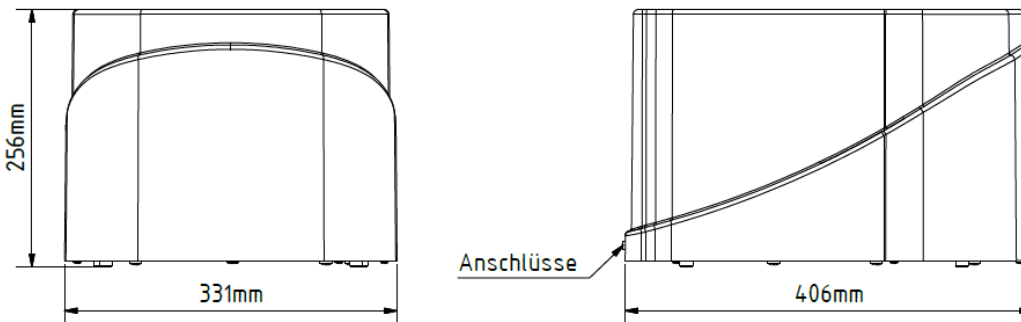
Ambient temperature	+2 - 35°C
Supply voltage	90-240V / 50-60Hz
Connected load	120W
Connection size	R ¾"
Weight (complete):	15kg



Dimensions Production unit



Dimensions 10l Tank



Dimensions 30, 60l Tank

